

Clamp-on type AC Current Sensor – Ultra mini CTL-10-S50-30F-CL (10 mA – 100 A)

Ultra small size, clamp – on in one time and seperable type AC Current Sensor.
Possible to cover a full range from Small current of 10mA or less up to big current of
Max. 100A, and wide frequency range of 50Hz to 200KHZ, by means of optimizing
magnetic circuit and structure.

FEATURES/APPLICATION EXAMPLES

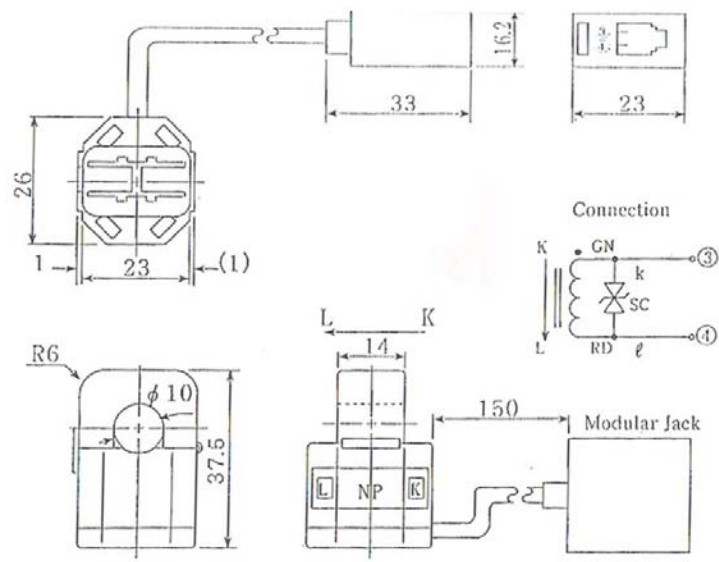
- Easy installation on the existing facilities by clamp – on structure in one time.
- Possible to get a high output level of 1 to 4V without amplifier, and make a direct interfacing to the systems such as various energy saving equipments, over-load protection equipments etc.
- safe even in open output due to a built – in over voltage clamp element.
- Ultra small size sensor, but possible to apply for Max. 100A.
- Possible to use as a small current detecting sensor, because of an excellent linearity even in small current range of 10mA to 1A.
- Possible to apply in a wide frequency range of 50 to 200KHz.
- One touch connection is possible, due to telephone modular jack.



SPECIFICATIONS

Model	CTL-10 - S50 -30F - CL
Current range	0.01 to 100Arms (50Hz/60Hz)
Dia.through – hole wire	10 mm or less
Secondary winding	3000+/-2 T (Internal resistance 460 +/-20ohms)
Output characteristics	see Fig . 1
Frequency	50 Hz to 200KHz See Fig . 2
Structure	Partially open enclosure / Ferrite core, Nylon housing. Clamp-on structure/Nylon spring clamp
Admissible mating	about 100 times
Output terminal	Telephone modular jack (6P/2 cables)
Open voltage	15Vp-p / 6.5Vrms
Net weight	44g
Operation conditions	- 20 to 75 °C , RH 85% or less , No condensation

Fig. 1



△	・		DESIGNED	DRAWN	CHECKED	APPROVED	尺/SCALE	材質	品名
△	・						1/1		クランプCT 外形図
△	・						第三角法 3RD ANGLE PROJECTION	外装 処理 外表部品：白色	形番
△	・						SHEET NO.	使用形式	CTL-10-S50-30F CL
△	・								DWG. NO.
SYM	DATE	改正内容 マタハ設置NO.	REVISION	SIG	U_RD		株式会社 ユー・アール・ディー		

PRC Technologies Corporation Ltd.
 T: 02 530 1619, 530-1714 F: 02 530 1731
 Email: info@prctechnologies.co.th
www.prctechnologies.co.th